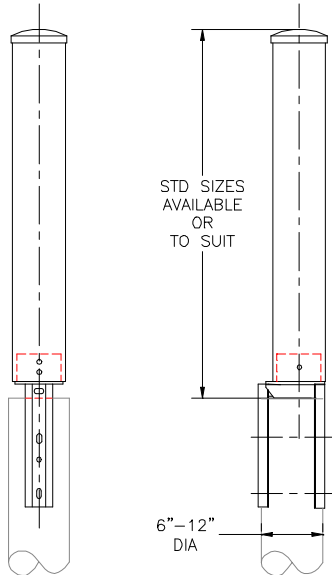




AMI Pole Top Extension



Benefits:

Since 1970, thousands of Pole Top Extensions have been used by many electric utilities to increase the height of existing poles when upgrading service. Their effectiveness, strength and durability have been thoroughly proven.

Cost Savings:

Cost Savings is the reason that utilities use AMI pole top extensions. The labor required to mount an extension to the existing pole is much lower than that required to remove existing poles and install new ones. Some utilities count the savings in tens of thousands of dollars annually.

Other Important Advantages:

- The time savings is considerable
- Traffic Tie ups are minimized
- Equipment requirements are greatly reduced - for example, no poles to be removed, replaced and hauled away and the extensions can be delivered in a pickup truck.

Superior Construction:

AMI's Pole Top Extensions are produced on custom machinery built by AMI specifically to produce these parts. The process takes advantage of the latest

fiberglass and resin technology. The result is a high-strength tube, consistent glass / resin ratios and optimum glass orientation.

U.V. Protection:

Excellent U.V. resistance is provided by using a pigmented resin containing a U.V. inhibitor. After curing, AMI applies an additional coat of resin to the exterior of the tube, followed by a final coat of urethane paint, known to have excellent U.V. resistance. This double protection insures a very long service life for this product.

Engineering Testing:

AMI's Pole Top Extension has been thoroughly tested in a series of rigorous tests to demonstrate the superior strength and durability of this product. For a copy of this test program summary, contact us or visit us at our web site:

www.advancedmaterialsinc.com

Specifying Extensions:

Please use the attached Pole Top Extension sheet to specify your needs or send an existing engineering drawing for evaluation.



Ordering Pole Top Extensions

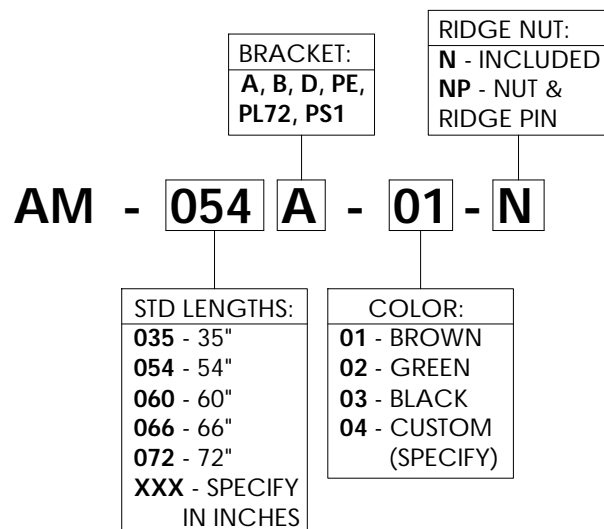
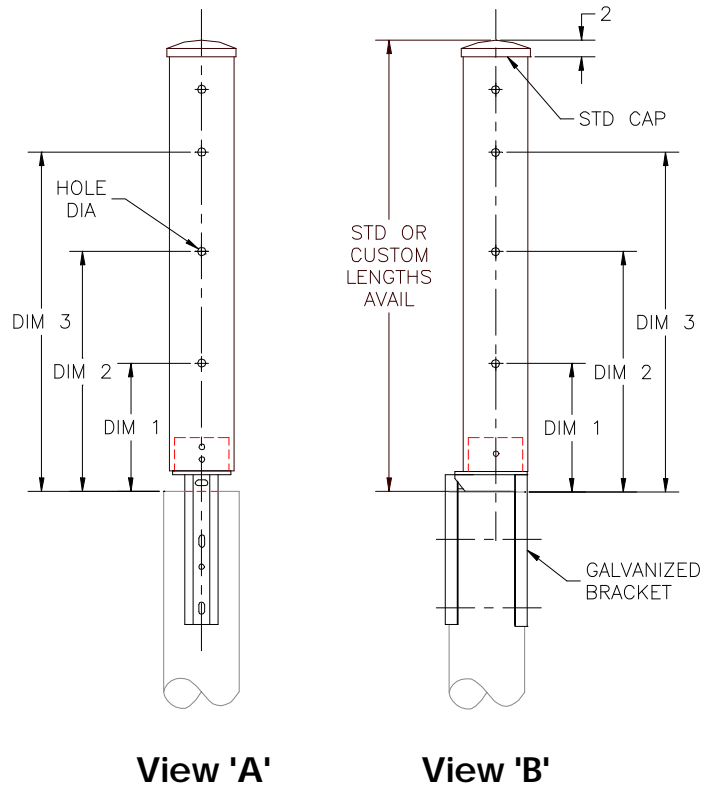
AMI offers complete customization when ordering Pole Top Extensions, including length, bracket type, color and holes in the extension tube.

Please note that all Pole Top Extensions include the following:

- Double UV protection
- Rugged Galvanized Bracket
- (2) 5/8" x 10" Lg Galvanized bolts with nuts & lock washers;
- (4) 2 1/2" Square Curved Washers;

When ordering, please specify:

- Bracket Style (see next page)
- Tube Length (Standard or custom up to 120")
- Holes desired in tube (fill out table)
- Cap Nut and Galvanized Ridge Pin
- Options such as color or ridge pin nut. (Available at extra cost)



Custom Holes		
VIEW	DIM	DIA
A	24"	11/16"

